

# Z511 9" HEAVY-DUTY DRAIN



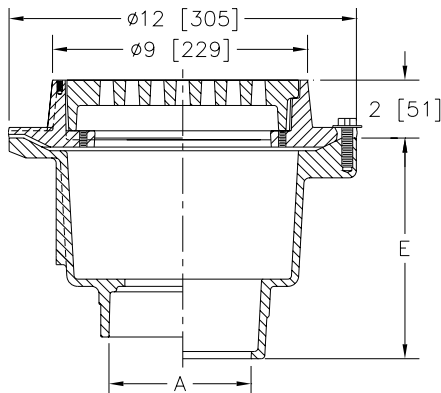
## ENGINEERING SPECIFICATION

Zurn Z511 9" diameter top drain features Dura-Coated cast iron, deep sump body with bottom outlet, seepage pan, and combination membrane flashing clamp and frame for heavy-duty, cast iron, deep flange grate.

## NOTES

†Add 3/16" to 2" dimension and 3/4" to 9" dimension for ZB and ZN

A Pipe Size inch [mm]	Grate Open Area sq in [cm <sup>2</sup> ]	Approximate Weight lb [kg]
2 [51], 3 [76], 4 [102]	18 [116]	40 [18]



PREFIXES	DESCRIPTION	PIPE SIZE	LIST PRICE
Z511*	D.C.C.I. Body and Top	2", 3", 4"	1,358.00
ZB511	D.C.C.I. Body Assembly with Polished Bronze Top	2", 3", 4"	1,781.00
ZN511	D.C.C.I. Body Assembly with Polished Nickel Bronze Top	2", 3", 4"	1,864.00

OUTLETS (SPECIFY PIPE SIZE IN INCHES AND TYPE OF OUTLET)				
OUTLET TYPE	PIPE SIZE/ OUTLET TYPE	E BODY HT. DIM.	ADD	
IC	Inside Caulk	3IC, 4IC	7-5/8"	N/C
IG	Inside Gasket	3IG, 4IG	7-5/8"	N/C
NL	Neo-Loc	2NL, 3NL, 4NL	6-7/8"	N/C
IP	Threaded	3IP, 4IP	7-5/8"	N/C

SUFFIXES	ADD	
-AR	Acid Resisting Epoxy Coated Finish	949.00
-BT	Bell Trap	194.00
-DG	Duresist Grate	194.00
-F	Extension Frame - Per Inch (Specify Height)	98.00
-G	Galvanized Cast Iron	561.00
-HP	Heel-Proof Grate	N/C
-J	Auxiliary Inlet Connection (Specify 1-1/2" or 2" IP, Number and Location)	345.00
-P	Trap Primer Connection	150.00
-S	Secondary Strainer	58.00
-SC	Solid Cover w/ Lift Handle	483.00
-SG	Solid Gasketed Cover	580.00
Ⓢ -TC	Neo-Loc Test Cap Gasket (2", 3", 4" NL Bottom Outlet Only)	24.00
-TS	Top Secured with Slotted Screws	129.00
-TSP	Trap Seal Protection Device (Size Matches Drain Outlet Selected, See Z1072)	POA
-V	Backwater Valve-Ball Float Type (Not Available with -Y)	615.00
-VP	Vandal-Proof Secured Top	149.00
-W	Winter Closure Plug (3IC, 4IC, 3IP, 4IP & 3IG Connections Only)	615.00
-Y	Sediment Bucket (Not Available with -V)	194.00

BEST SELLERS	LIST PRICE
Z511-4NL	1,358.00
Z511-4NL-P-TC-Y	1,726.00
Z511-4NL-P-Y	1,702.00
Z511-4NL-Y	1,552.00
ZN511-4NL-AR-P-S-Y	3,215.00

Supplied By:



877-903-7246

www.commercialplumbingsupply.com

\*Regularly furnished unless otherwise specified.

Items designated as Best Sellers are most specified and are generally in stock for shipment.

Ⓢ This symbol denotes a product that is engineered to reduce installation and rework time.

For additional product information, please visit [www.zurn.com](http://www.zurn.com)

INTRO ROOF DRAINS FLOOR DRAINS T, P, BW VALVES INTERCEPTORS CARRIERS HYDRANTS CLEANOUTS W/HA SS DRAINS FAB SS DRAINS SAN-FLOOR TECH INFO